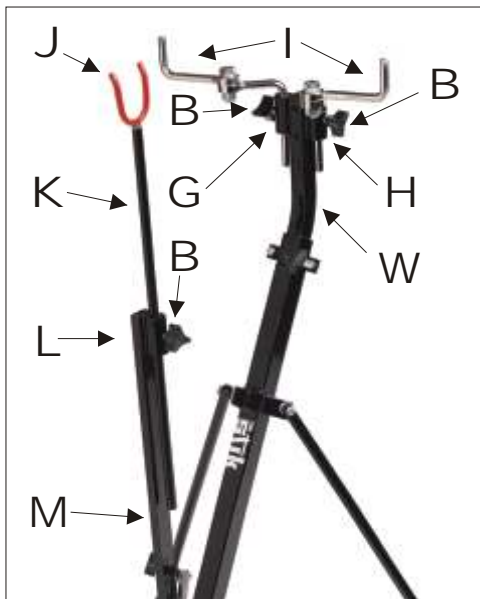
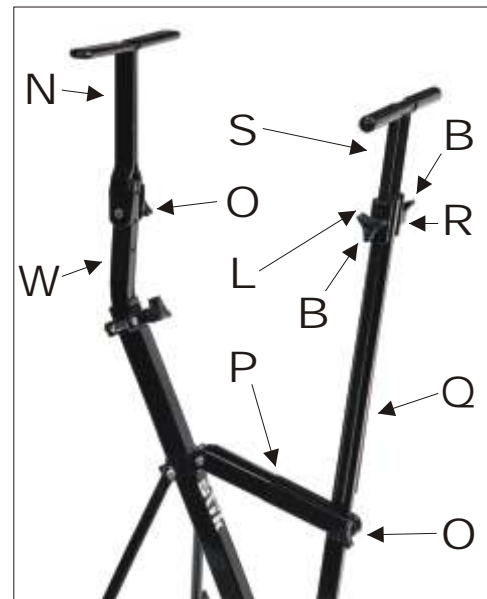


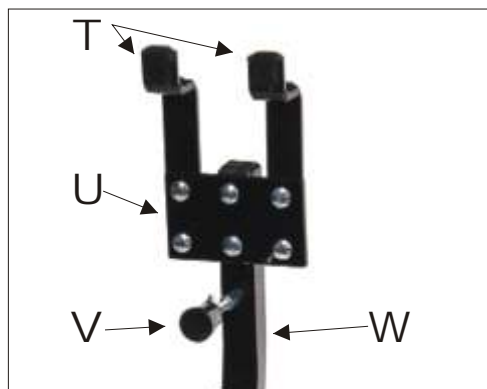
STIK FIELD STAND
LOWER SECTION (ALL MODELS)



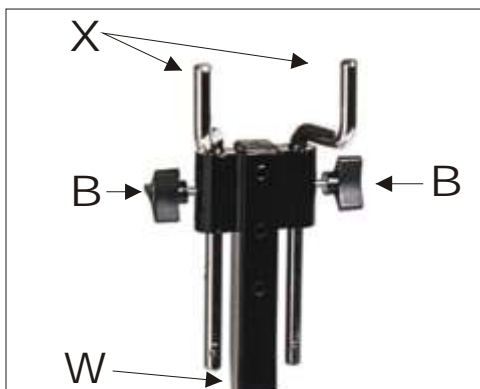
STK-TS1
STIK TENOR STAND



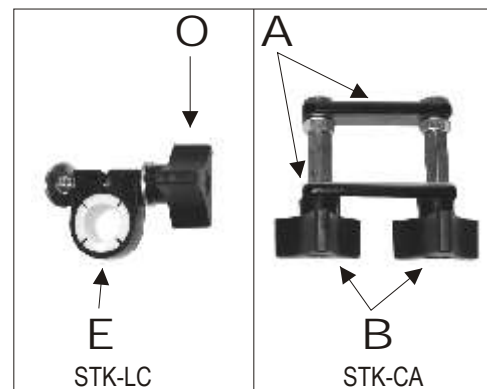
STK-BD1
STIK BASS STAND



STK-SD1
STIK SNARE STAND



STK-ST1
STIK J-ARM SNARE STAND



STK-LC LEG CLAMP
& STK-CA CLAMP ASSEMBLY

A	STK-9	CLAMP BAR
B	25037-PK	PLASTIC KNOB W/BOLT
C	STK-1	STIK BASESECTION
D	STK-6	VERTICAL LEG
E	STK-8	CLAMP BRACKET
F	STK-5	HORIZONTALLEG
G	STK-TS-4A	STIK TENOR ARM CLAMP (RIGHT)
H	STK-TS-4B	STIK TENOR ARM CLAMP (LEFT)
I	STK-TS-5	STIK TENOR "J" ARM (2 PER UNIT)
J	STK-TS-1	STIK TENOR HOOK
K	STK-TS-3	UPPER TENOR SUPPORT ARM
L	STK-BD-4A	STIK BASS ARM CLAMP (RIGHT)
M	STK-TS-2	LOWER TENOR SUPPORT ARM
N	STK-BD-1	STIK BACK BASS SUPPORT
O	3036	THREADED PLASTIC KNOB
P	STK-BD-2	STIK BASS SUPPORT BRACE (2 PER UNIT)
Q	STK-BD-3	STIK BASS EXTENSION ARM
R	STK-BD-4B	STIK BASS ARM CLAMP (LEFT)
S	STK-BD-56	STIK FRONT SUPPORT ARM
T	STK-SD-3	STIK SNARE SUPPORT ARM (2 PER UNIT)
U	STK-SD-1	STIK SNARE SUPPORT ARM PLATE
V	05112-00	CONICAL BUMPER WITH NUT
W	STK-7	STIK HEIGHT ADJUSTMENT ARM
X	78107-00	STIK "J" ARM SNARE SUPPORT ARM (2 PER UNIT)