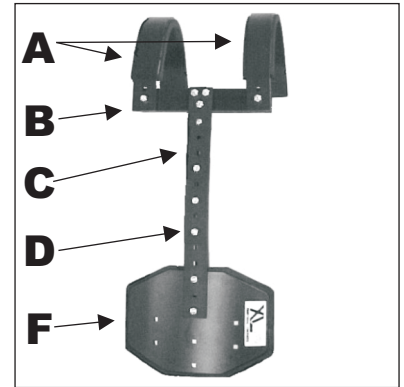
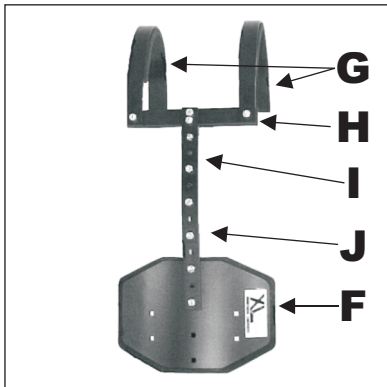


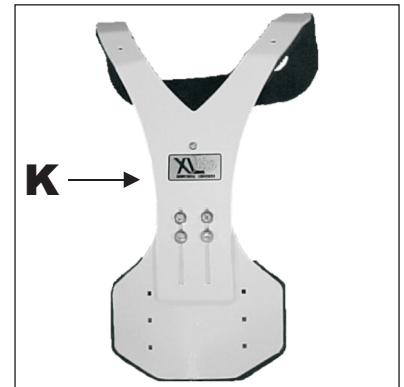
XL LITE UPPER ASSEMBLY



METRIC ATTACHMENT UPPER ASSEMBLY



ULTRA LITE AND PL METRIC UPPER ASSEMBLY



ALUMINUM VEST

A	01001-FD	SHOULDER STRAP FOAMED
a1	01001-00	SHOULDER STRAP
a2	01001-F0	SHOULDER STRAPFOAM
B	01002-FD	CROSS MEMBER FOAMED
b1	01002-00	CROSS MEMBER
b2	01002-F0	CROSS MEMBER FOAM
C	01003-00	UPPER SUPPORT
D	01004-00	LOWER SUPPORT
E	05005-FD	STOMACH PLATE FOAMED
e1	05005-00	STOMACH PLATE
e2	05005-F0	STOMACH PLATE FOAM
F	06005-FD	SMALL STOMACH PLATE FOAMED
f1	06005-00	SMALL STOMACH PLATE
f2	06005-F0	SMALL STOMACH PLATE FOAM
G	91001-FD	SMALL SHOULDER STRAP FOAMED
g1	91001-00	SMALL SHOULDER STRAP
g2	91001-F0	SMALL SHOULDER STRAP FOAM
H	91002-FD	SMALL CROSS MEMBER FOAMED
h1	91002-00	SMALL CROSS MEMBER
h2	91002-F0	SMALL CROSS MEMBER FOAM
I	91003-00	SMALL UPPER SUPPORT
J	91004-00	SMALL LOWER SUPPORT
K	DAV	DELUXE ALUMINUM VEST
k1	DAV-T	ALUMINUM VEST TOP SECTION
k2	DAV-B	ALUMINUM VEST BOTTOM SECTION
	A-VEST-F0	ALUMINUM VEST FOAM
	25000-ES	1/4-20 ESNA NUT
	25075-CR	1/4-20x3/4 CARRIAGE BOLT
	25000-FT	1/4 FLAT WASHER